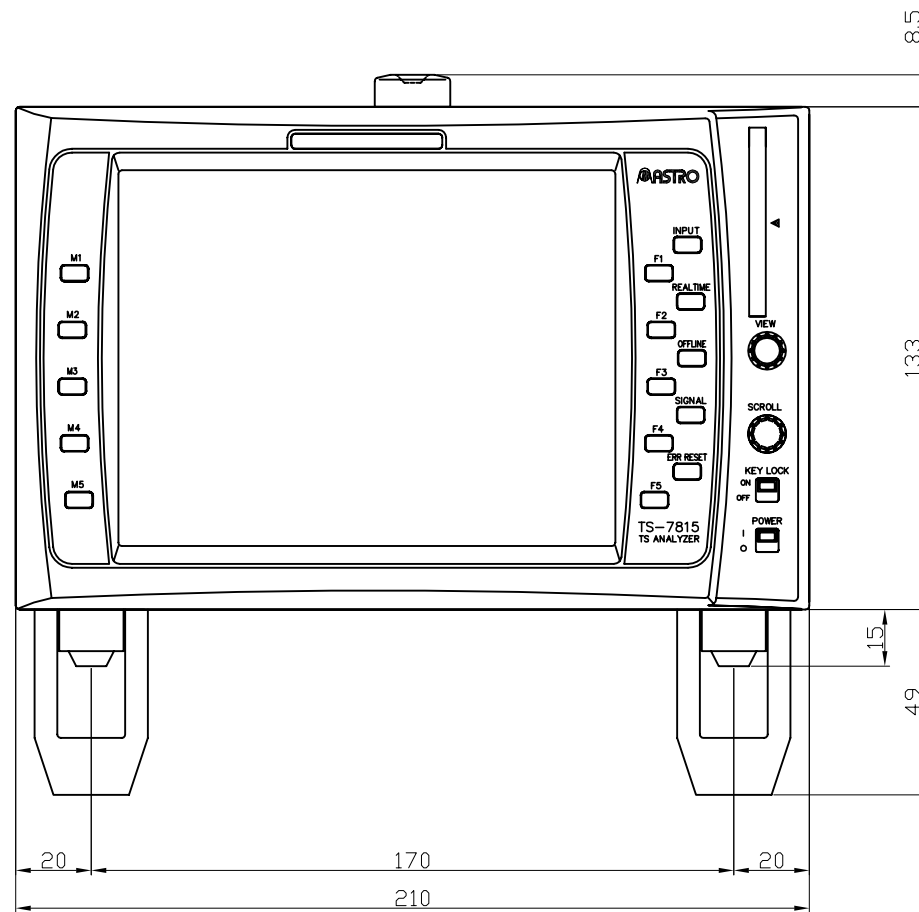


210



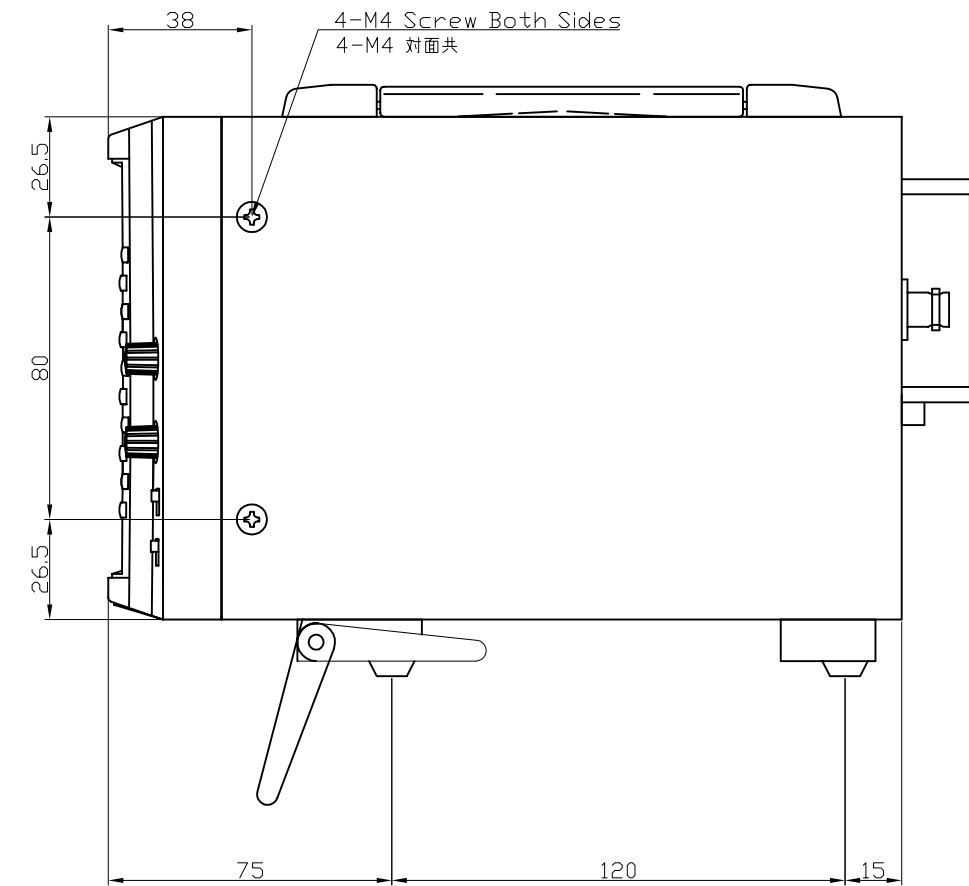
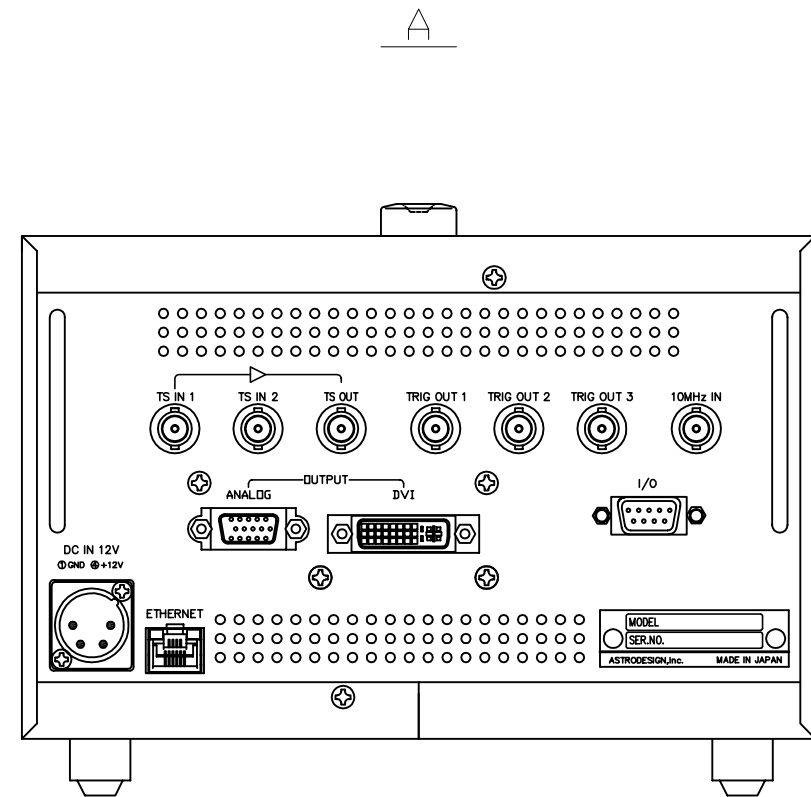
8.5

133

15

49

20 170 20 210



4-M4 Screw Both Sides  
4-M4 対面共

38  
26.5  
80  
26.5  
75 120 15

発行  
'06. 8. 1  
発行済

基準寸法の区分	等級 JIS B#	Q'TY MATERIAL	DATE	NAME	MODEL
L ≤ 6	±0.1	POLISHING			TS-7815
6 < L ≤ 30	±0.2				PART NAME DIMENSIONS
30 < L ≤ 120	±0.3	DESIGNER	06/4/4	日並	DWG No. 78150-00-B01-28-01-A
120 < L ≤ 400	±0.5	DRAWING	06/4/4	高木	SCALE
400 < L ≤ 1000	±0.8	CHECKER	06/4/4	多和	
1000 < L ≤ 2000	±1.2	APPROVAL	06/4/4	坂本	