

# Full Specification 8K Recorder



## HR-7520



An uncompressed recorder that supports 8K and 4K signal with full specification up to 8K 120p RGB 4:4:4.

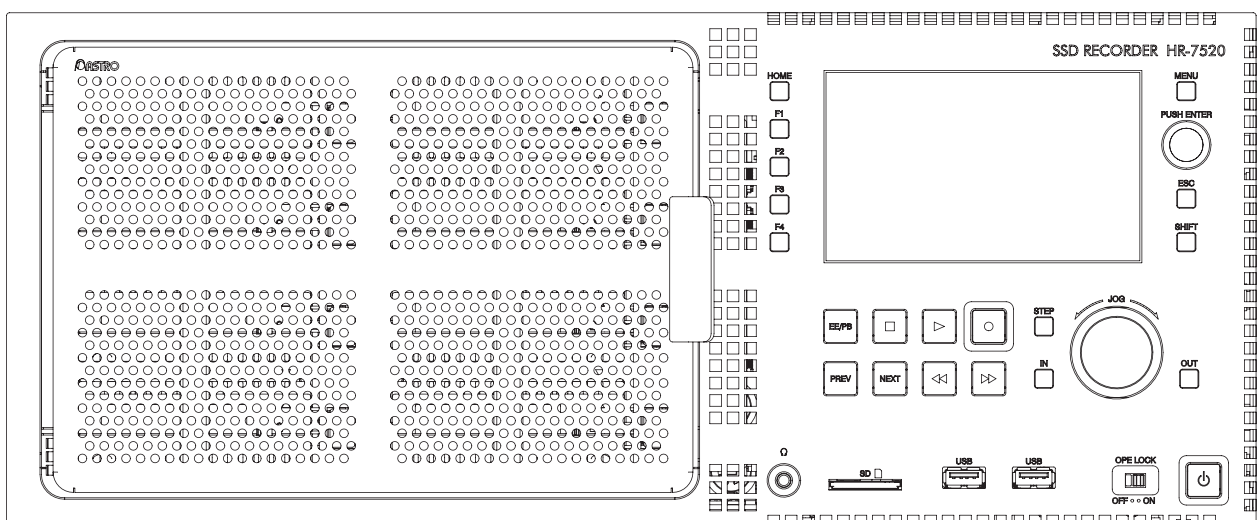
### Features

- Uncompressed recording of 8K 120p, 100p, 60p and 50p signals
- Uncompressed recording of 4K 120p, 100p, 60p and 50p signals
- 120p recording and playback by 12G-SDI Quad × 2 or U-SDI
- Synchronous multiple unit operation supporting high frame rates of 240p and higher
- Usage of the SSD pack "MM-212 (8TB)" as recording medium which utilizes NVMe SSD
- SSD pack is sold separately
- Ability to edit or delete recorded clips and create a playlist combining multiple clips
- Supports 10GbE backup
- Supports up to 32 channels of audio recording
- 4U rackmount size

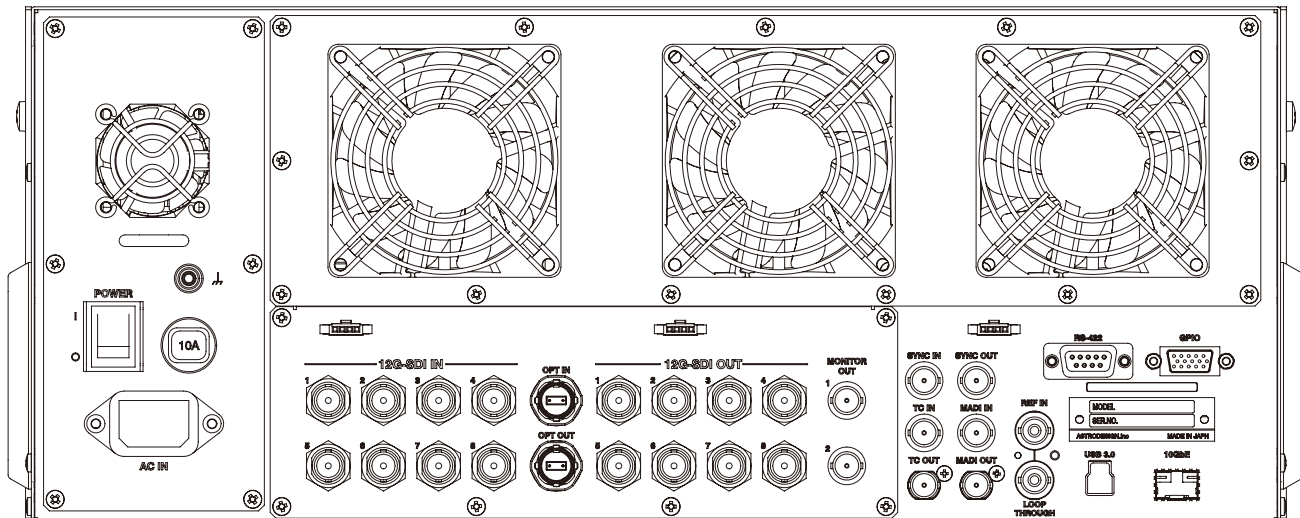
### Recording Time

Video Format	Recording Time (with MM-212 usage)	SSD Packs (required amount)
4K YCbCr 4:2:2 59.94p/50p	75 minutes	1
4K RGB 4:4:4 59.94p/50p	50 minutes	1
4K YCbCr 4:2:2 119.88p/100p	75 minutes	2
4K RGB 4:4:4 119.88p/100p	50 minutes	2
8K YCbCr 4:2:2 59.94p/50p	75 minutes	4
8K RGB 4:4:4 59.94p/50p	50 minutes	4
8K YCbCr 4:2:2 119.88p/100p	75 minutes	8
8K RGB 4:4:4 119.88p/100p	50 minutes	8

### Front View



## Rear View



## Specifications

Item	Description
Video Format	Resolution : 7680 × 4320/3840 × 2160 Sampling : RGB 4:4:4 12bit*/YCbCr 4:4:4 10bit*/YCbCr 4:2:2 10bit/YCbCr 4:2:0 10bit* Frame Frequency : 120p/119.88p/100p/60p/59.94p/50p *Supports only U-SDI
Video Input	Optical (ARIB STD-B58) 1ch 12G-SDI (SMPTE ST 2082-1) 8ch Supports ancillary data (Audio, TC)
Video Output	Optical (ARIB STD-B58) 1ch 12G-SDI (SMPTE ST 2082-1) 8ch Supports ancillary data (Audio, TC)
MONITOR OUT	12G-SDI (SMPTE ST 2082-1/10) or HD-SDI (SMPTE 292M) Sampling : YCbCr 4:2:2 10bit Frame Frequency : 60p/59.94p/50p/60i/59.94i/50i
Synchronized signal input	HD tri-level/BB signal 75 Ω BNC Passive Through (Automatic Termination)
MADI I/O	75 Ω BNC 1ch
Time Code I/O	BNC 1ch LTC I/O
RS422	D-Sub 9pin female connector SONY Protocol
GPIO	D-Sub 15pin Concave connector Contact control, TTL input, maintenance use
SYNC IN/OUT	Unit synchronized signal
USB 2.0	Type-A connector 2ch Host side (for connecting key board and USB memory)
10GbE	SFP + connector for data transfer
SD	SD card slot, device maintenance (version upgrade), log output
Headphone	3.5mm stereo (mini jack)
<b>General Specifications</b>	
Item	Description
Power Requirements	AC 100 – 240V
Power Consumption	350W MAX
Operating Temperature Range	+5 to 40°C
Operating Humidity Range	20 to 80%RH (No Condensation)
Dimensions	430 (W) × 176 (H) × 430 (D)mm (4U Rack mount size/Excluding Protrusions)
Weight	15.0 kg or less (SSD pack not included)